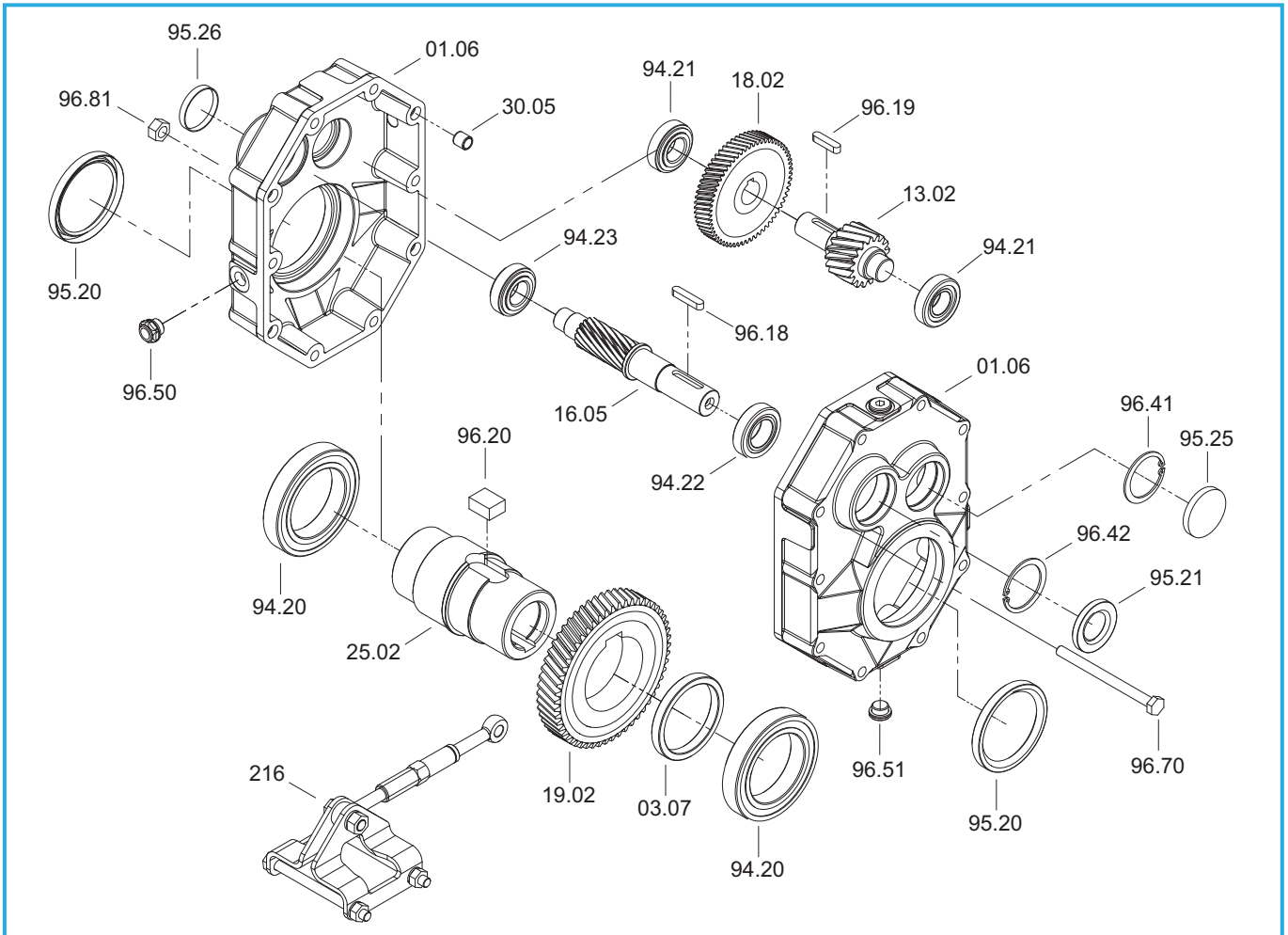




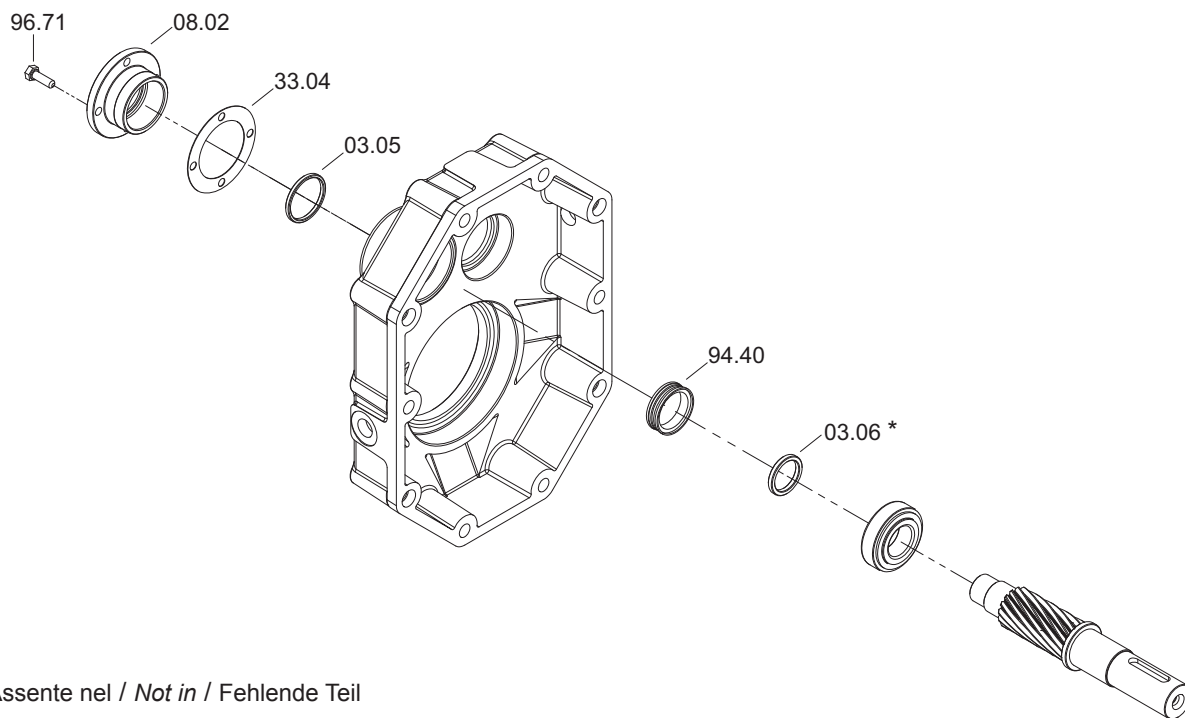
MA..B



| MA | Cuscinetti / Bearings / Lager | | | | Anelli di tenuta / Oilseals / Öldichtungen | |
|-------------|-------------------------------|-----------------------------|-----------------------------|-----------------------------|--------------------------------------------|-----------------|
| | 94.20 | 94.21 | 94.22 | 94.23 | 95.20 | 95.21 |
| 63B | 6010 50/80/16 | 6303 17/47/14 | 6004 20/42/12 | 6203 17/40/12 | 50/65/8 | 20/42/7 |
| 80B | 6012 60/95/18 | 30204 20/47/15.25 | 6205 25/52/15 | 6204 20/47/14 | 60/75/8 | 25/52/7 |
| 100B | 6015 75/115/20 | 30205 25/52/16.25 | 32006 30/55/17 | 30205 25/52/16.25 | 75/95/10 | 30/55/7 |
| 125B | 6018 90/140/24 | 30206 30/62/17.25 | 32008 40/68/19 | 30206 30/62/17.25 | 90/110/12 | 40/68/10 |
| 140B | 6219 95/170/32 | 30207 35/72/18.25 | 30208 40/80/19.75 | 30207 35/72/18.25 | 95/125/12 | 40/80/10 |
| 160B | 6222 110/200/38 | 32208 40/80/24.75 | 32209 45/85/24.75 | 32208 40/80/24.75 | 110/130/12 | 45/85/10 |
| 180B | 6226 130/230/40 | 33210 50/90/32 | 32210 50/90/24.75 | 32209 45/85/24.75 | 130/160/12 | 50/90/10 |

MA..B

Dispositivo antiritorno - Backstop device - Rücklaufsperr



* Assente nel / Not in / Fehlende Teil

63B

80B

| MA | Ruota libera / Free wheel / Freilauf 94.40 |
|-------------|-----------------------------------------------|
| 63B | FE 423 Z |
| 80B | FE 428 Z |
| 100B | BF 50 Z 16 |
| 125B | BF 71 Z 16 |
| 140B | SF 31-13,5/12J |
| 160B | BF 90 Z 21 |
| 180B | FE 8044 Z 19 |