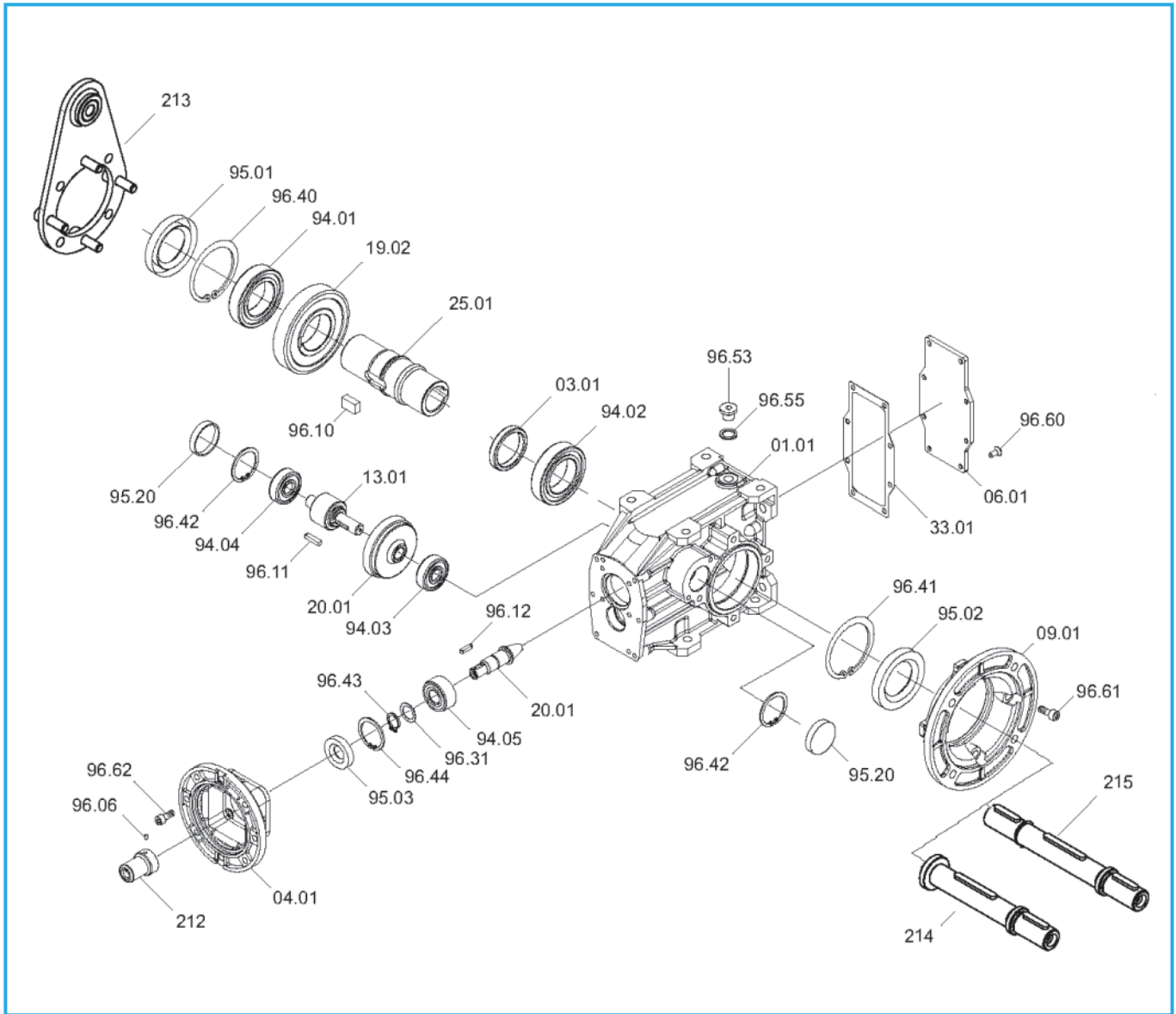
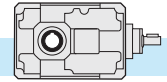


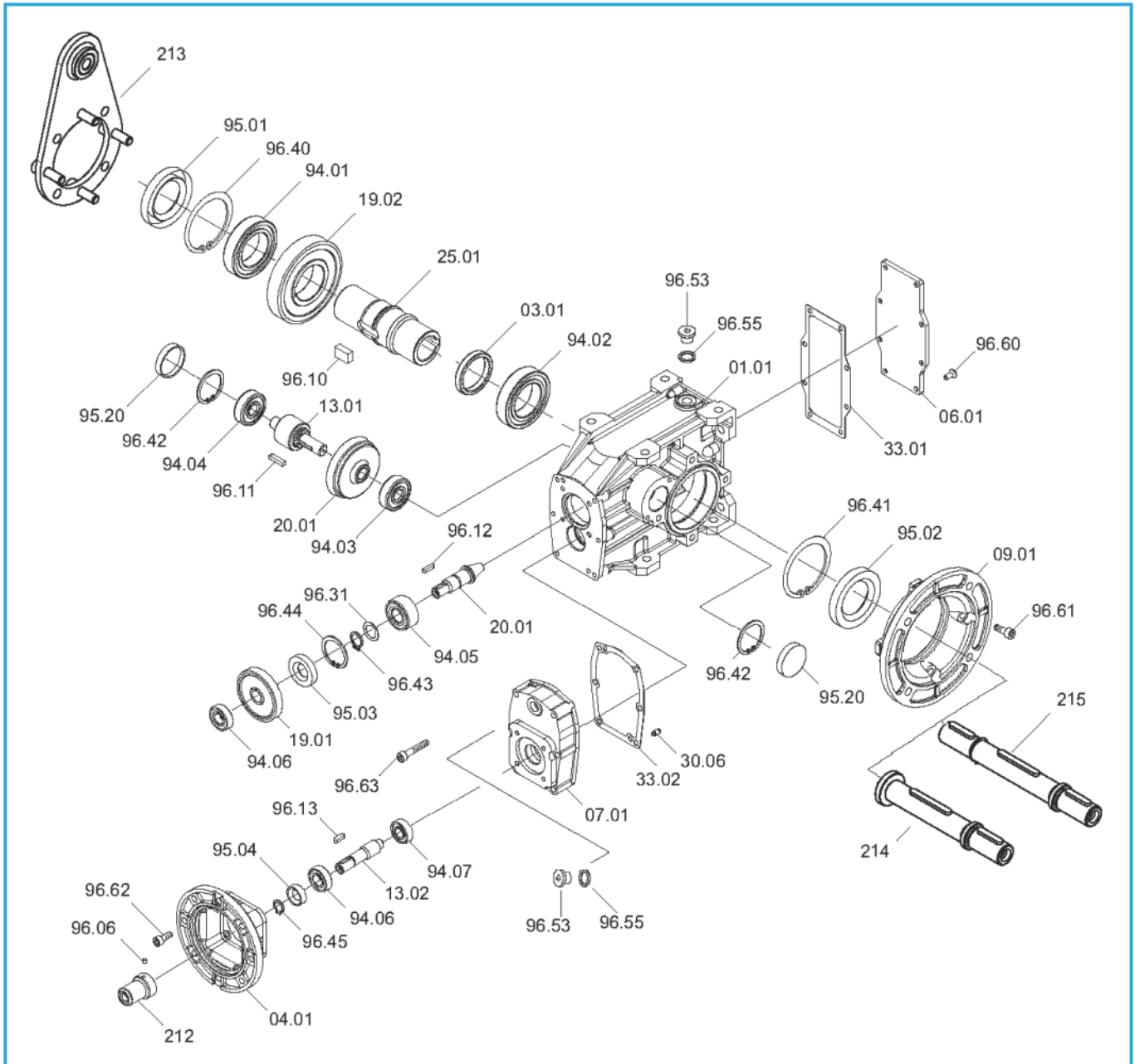
**TA/TF 56B - TA/TF 63B**



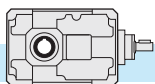
T	Cuscinetti/ Bearings / Lager					Anelli di tenuta / Oilseals / Öldichtungen		
	TA - TF					TA - TF		
	94.01	94.02	94.03	94.04	94.05	95.01	95.02	95.03
<b>56B</b>	<b>6007</b> 35/62/14	<b>6007</b> 35/62/14	<b>6201</b> 12/32/10	<b>6201</b> 12/32/10	<b>3201</b> 12/32/15.9	35/62/7	35/62/7	<b>12/32/7</b>
<b>63B</b>	<b>6008</b> 40/68/15	<b>6008</b> 40/68/15	<b>6301</b> 12/37/12	<b>6301</b> 12/37/12	<b>3202</b> 15/35/15.9	40/68/10	40/68/10	<b>15/35/7</b>



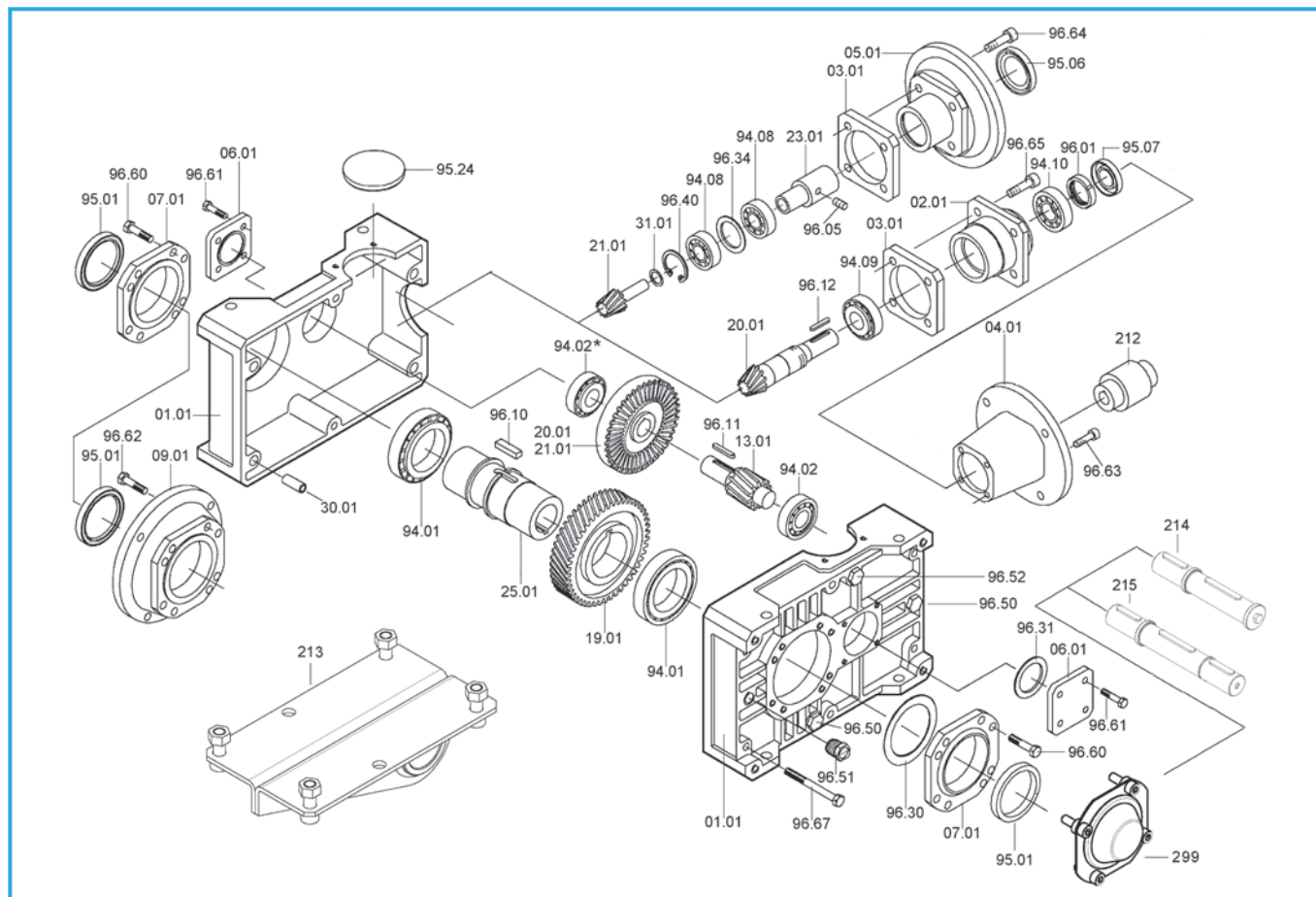
## TA/TF 56C - TA/TF 63C



T	Cuscinetti/ Bearings / Lager							Anelli di tenuta / Oilseals / Öldichtungen			
	TA - TF							TA - TF			
	94.01	94.02	94.03	94.04	94.05	94.06	94.07	95.01	95.02	95.03	95.04
<b>56C</b>	<b>6007</b> 35/62/14	<b>6007</b> 35/62/14	<b>6201</b> 12/32/10	<b>6201</b> 12/32/10	<b>3201</b> 12/32/15.9	<b>6001</b> 12/28/8	<b>6000</b> 10/26/8	35/62/7	35/62/7	12/32/7	12/22/7
<b>63C</b>	<b>6008</b> 40/68/15	<b>6008</b> 40/68/15	<b>6301</b> 12/37/12	<b>6301</b> 12/37/12	<b>3202</b> 15/35/15.9	<b>6001</b> 12/28/8	<b>6000</b> 10/26/8	40/68/10	40/68/10	15/35/7	12/22/7

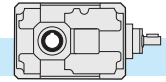


## TA..B - TC..B - TF..B

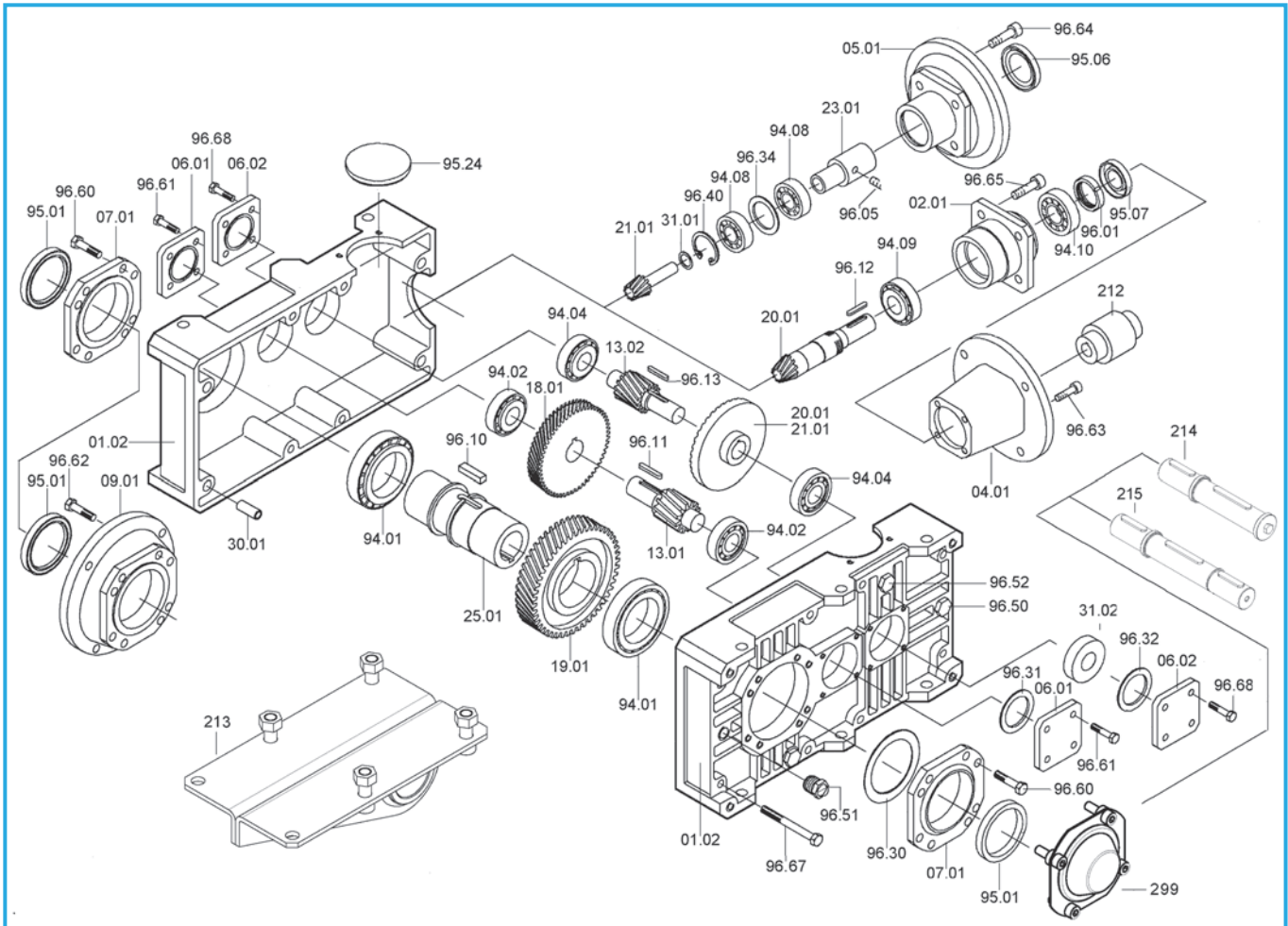


T	Cuscinetti/ Bearings / Lager					Anelli di tenuta / Oilseals / Öldichtungen			
	TA - TC - TF		TC	TA - TF		TA - TC - TF	TC		TA - TF
	94.01	94.02	94.08	94.09	94.10	95.01	IEC	95.06	95.07
<b>71B</b>	32008 40/68/19	30302 15/42/14.25	7203 17/40/12	30203 17/40/13.25		40/56/8	63	25/52/7	15/40/10
							71	30/52/7	
							80	35/52/7	
							90	37/52/8	
<b>90B</b>	32010 50/80/20	30204 20/47/15.25	7205 25/52/15	32005 25/47/15		50/65/8	71 - 80	35/62/7	20/47/7
							90	40/62/7	
							100 - 112	45/62/8	
							80 - 90	40/72/7	
<b>112B</b>	32012 60/95/23	30305 25/62/18.25	7206 30/62/16	32006 30/55/17		60/80/10	100 - 112	45/72/8	25/58/10
							132	55/72/10	
							80 - 90	45/80/10	
							100 - 112	45/80/10	
<b>140B</b>	32015 75/115/25	32206B 30/62/21.25	7207 35/72/17	32007 35/62/18		75/95/10	132	55/80/10	30/62/7
							160	60/80/8	
							180	65/80/8	
							100 - 112	55/100/13	
							132 - 160	60/100/10	
<b>180B</b>	32019 95/145/32	31307 / (32208)* 35/80/22.75 / (40/80/24.75)*	7209 45/85/19	32009 45/75/20		95/125/12	180	65/100/10	40/80/10
							200	75/100/10	
							100 - 112	55/100/13	
							132 - 160	60/100/10	
<b>200B</b>	32024 120/180/38	31309 45/100/27.25	7209 45/85/19	33109 45/80/26		120/160/15	180	65/100/10	40/80/10
							200	75/100/10	
							100 - 112	55/100/13	
							132 - 160	60/100/10	
<b>225B</b>	32026 130/200/45	31310 50/110/29.25	—	33111 55/95/30	32011 55/90/23	130/160/12	—	—	50/90/10

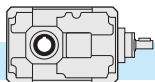
\* Presente solo nella versione con antiretro / Only on version with back stop device / Nur für die Version mit Rücklauf Sperre



**TA..C - TC..C - TF..C**

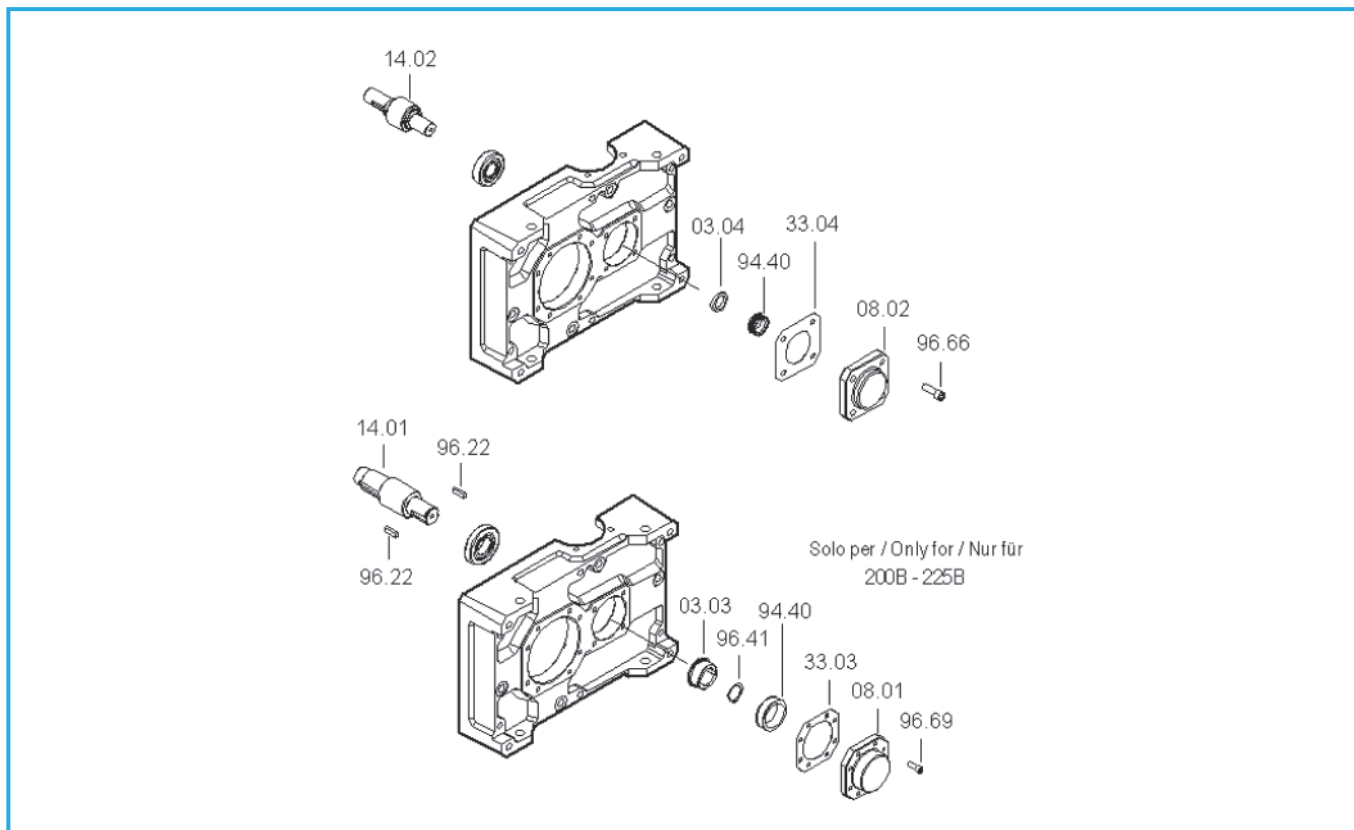


T	Cuscinetti / Bearings / Lager					Anelli di tenuta / Oilseals / Öldichtungen				
	TA - TC - TF			TC	TA - TF		TA - TC - TF	TC		TA - TF
	94.01	94.02	94.04	94.08	94.09	94.10	95.01	IEC	95.06	95.07
<b>80C</b>	<b>32010</b> 50/80/20	<b>30204</b> 20/47/15.25	<b>30302</b> 15/42/14.25	<b>7203</b> 17/40/12	<b>30203</b> 17/40/13.25		50/65/8	<b>63</b> 71 <b>80</b> 90	<b>25/52/7</b> <b>30/52/7</b> <b>35/52/7</b> <b>37/52/8</b>	<b>15/40/10</b>
<b>100C</b>	<b>32012</b> 60/95/23	<b>30305</b> 25/62/18.25	<b>30204</b> 20/47/15.25	<b>7205</b> 25/52/15	<b>32005</b> 25/47/15		60/80/10	71 - 80 90 100 - 112	<b>35/62/7</b> <b>40/62/7</b> <b>45/62/8</b>	<b>20/47/7</b>
<b>125C</b>	<b>32015</b> 75/115/25	<b>32206</b> 30/62/21.25	<b>30305</b> 25/62/18.25	<b>7206</b> 30/62/16	<b>32006</b> 30/55/17		75/95/10	80 - 90 100 - 112 132	<b>40/72/7</b> <b>45/72/8</b> <b>55/72/10</b>	<b>25/58/10</b>
<b>160C</b>	<b>32019</b> 95/145/32	<b>32207</b> 35/72/24.25	<b>32206</b> 30/62/21.25	<b>7207</b> 35/72/17	<b>32007</b> 35/62/18		95/125/12	80 - 90 100 - 112 132 160 180	<b>45/80/10</b> <b>45/80/10</b> <b>55/80/10</b> <b>60/80/8</b> <b>65/80/8</b>	<b>30/62/7</b>
<b>180C</b>	<b>32024</b> 120/180/38	<b>31309</b> 45/100/27.25	<b>32206</b> 30/62/21.25	<b>7207</b> 35/72/17	<b>32007</b> 35/62/18		120/160/15	80 - 90 100 - 112 132 160 180	<b>45/80/13</b> <b>45/80/10</b> <b>55/80/10</b> <b>60/80/10</b> <b>65/80/10</b>	<b>30/62/7</b>
<b>200C</b>	<b>32026</b> 130/200/45	<b>31310</b> 50/110/29.25	<b>30307</b> 35/80/22.75	<b>7209</b> 45/85/38	<b>32009</b> 45/75/20		130/160/12	100 - 112 132 - 160 180 200	<b>55/100/13</b> <b>60/100/10</b> <b>65/100/10</b> <b>75/100/10</b>	<b>40/80/10</b>



## TA..B - TC..B - TF..B - TA..C - TC..C - TF..C

Dispositivo antiritorno - Backstop device - Rücklaufperre



T...B	Ruota libera / Free wheel / Freilaufgrad 94.40
71	FE 423 Z
90	FE 428 Z
112	BF 50 Z 16
140	BF 70 Z 21
180	FE 8040 Z 19
200	FE 8054 Z 25
225	FE 8072 Z 25

T...C	Ruota libera / Free wheel / Freilaufgrad 94.40
80	FE 423 Z
100	FE 428 Z
125	BF 50 Z 16
160	BF 70 Z 21
180	BF 70 Z 21
200	FE 8040 Z 19

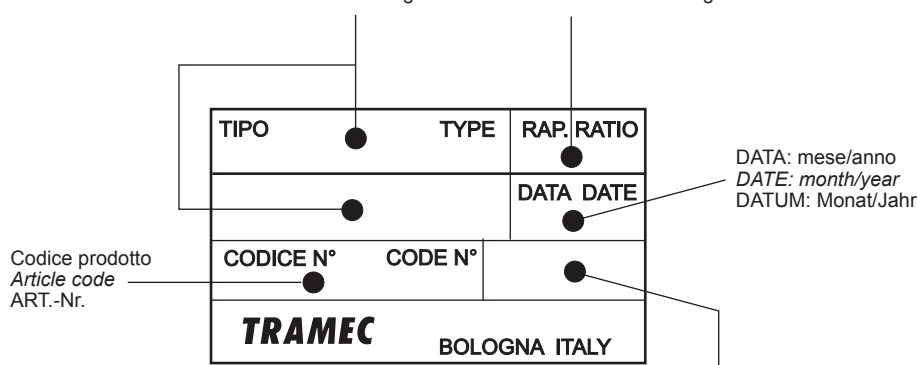
In fase di ordine delle parti di ricambio, specificare sempre n° particolare (vedi disegno esploso), data (1), n° codice (2) e n° variante (3). (Vedi targhetta).

When ordering please specify the spare part number (see exploded view) as well as the date (1), the article number (2) and the variant number (3) (see plate)

Bei der Bestellung von Ersatzteilen sind Ersatzteilnummer (s. Explosionszeichnung), Datum (1), Artikelnummer (2) und Variantennummer (3) anzugeben. (s. Schild)

TIPO: descrizione  
TYPE: description  
TYP: Bezeichnung

RAP: rapporto di riduzione  
RATIO: reduction ratio  
ÜBERS.: Untersetzungsverhältnis



Codice prodotto  
Article code  
ART.-Nr.

DATA: mese/anno  
DATE: month/year  
DATUM: Monat/Jahr

VARIANTE: codice alfanumerico  
VARIANT: alphanumeric code  
VARIANTE: alphanumerische Nummer